

TRADITIONAL CEDAR BIRDHOUSE

ITEM #	QTY	DESCRIPTION
1	1	1" x 6" x 5'-0" LONG CEDAR FENCE BOARD
2	35	1-1/2" LONG FINISH NAILS
3	1	OUTDOOR WOOD GLUE
4	4"	3/8" DIAMETER ROUND WOOD DOWEL

NOTE: All parts to be made from 1"x6" (3/4" thick by 5-1/2" wide) cedar fence board. Therefore, all dimensions shown 5-1/2" will not require cutting. If a board other than 5-1/2" wide will require additional cuts.

We are working on a customer "do-it-yourself" photo album web page which will feature photographs of our customers projects. If you would like to participate, take a picture of your project and either mail the photograph to us or scan it and e-mail it to us at:

mail to: L & R Designs, LLC
356 Holcomb Rd.
Kelso, WA 98626

e-mail to: doityourself@choosefreedom.com

L & R Designs, LLC is not responsible or liable for the safety of any person building or using the items based on our plans.

STEP #1

Make (2) side wall panels as shown in Figure #1.

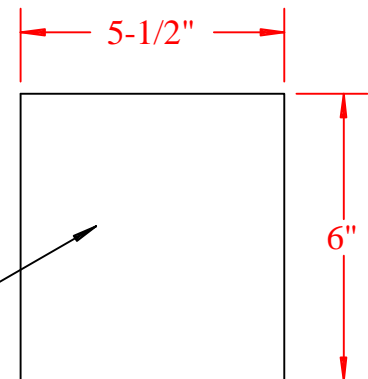


FIGURE #1

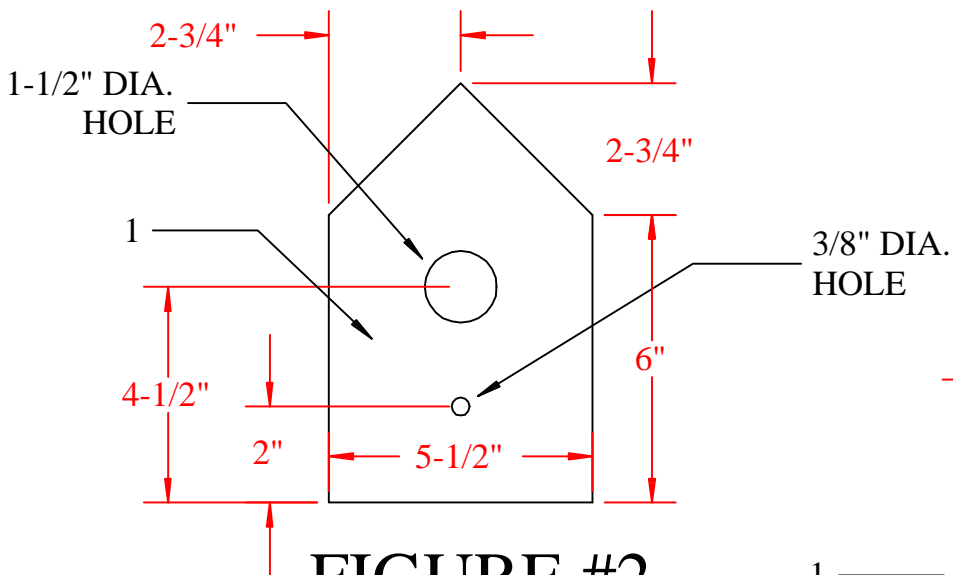


FIGURE #2

STEP #2

Make (1) front wall panel as shown in Figure #2.

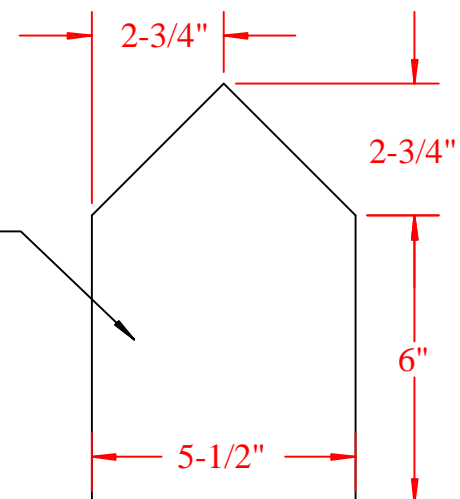


FIGURE #3

STEP #3

Make (1) back wall panel as shown in Figure #3. Use front panel as a template for back panel to ensure both panels are identical.

STEP #4

Assemble (2) sides, front, and back panels as shown in Figure #4. Glue and nail (3 nails per joint) each joint.

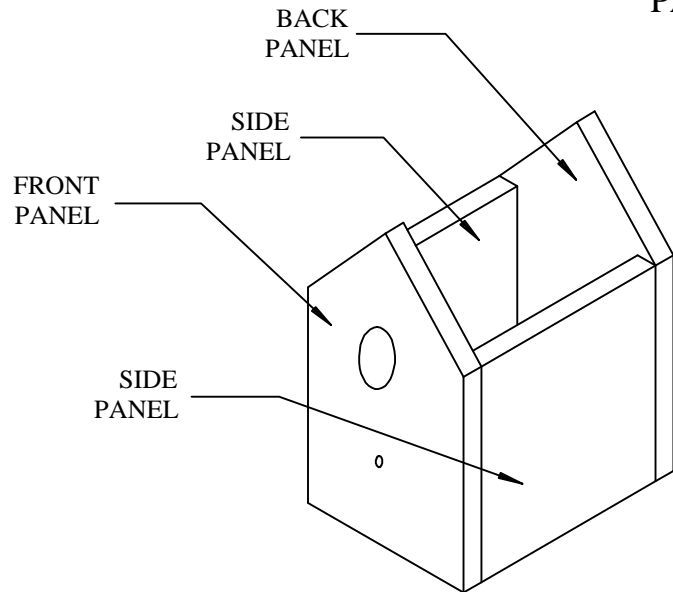


FIGURE #4

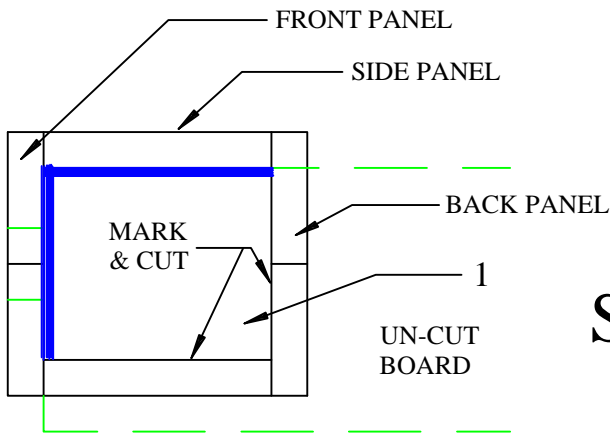


FIGURE #5
TOP VIEW

STEP #5

Make (1) bottom panel by placing assembled walls on top of oversized, future bottom panel, board as shown in Figure #5. Mark (2) edges to be cut from inside of birdhouse as shown in Figure #5. Cut on marked lines. Install bottom panel inside assembled walls with glue and nails (2 nails per side).

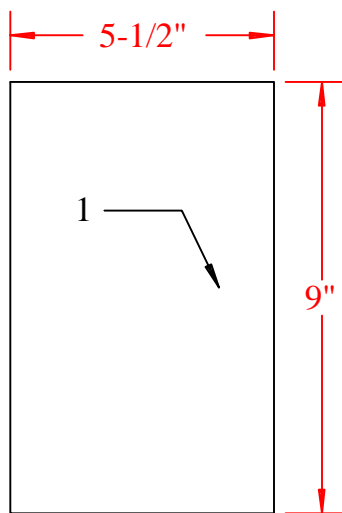


FIGURE #6a
RIGHT ROOF PANEL

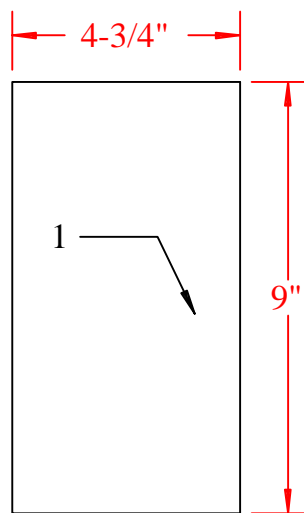


FIGURE #6b
LEFT ROOF PANEL

STEP #6

Make (1) right roof panel and (1) left roof panel as shown in Figure #6a and Figure #6b.

STEP #7

Install roof panels on house walls as shown in Figure #7a and Figure #7b. Glue and nail (2 nails per end and 3 nails along ridge) roof panels.

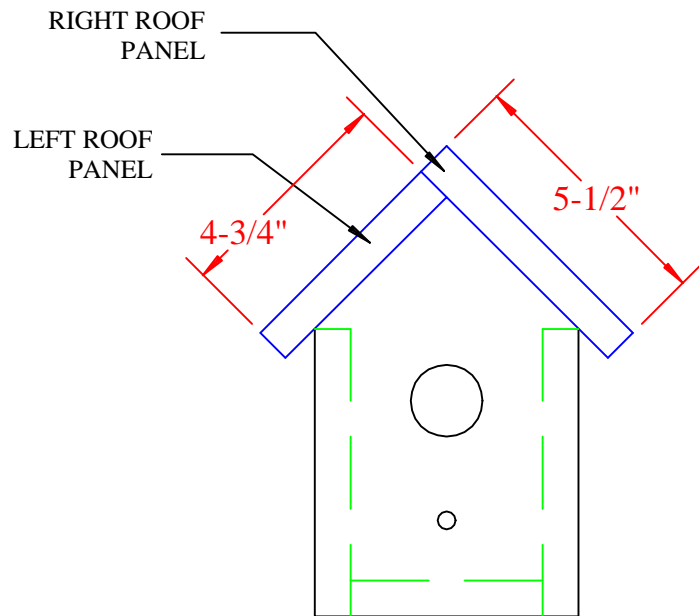


FIGURE #7a
FRONT VIEW

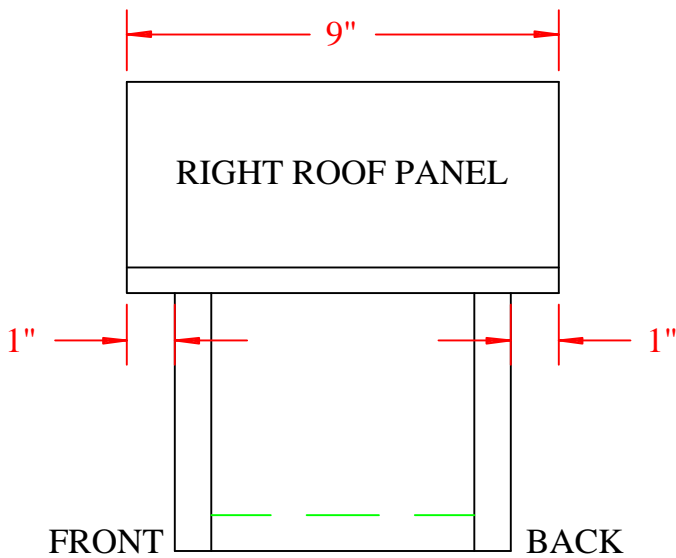


FIGURE #7b
SIDE VIEW

STEP #8

Cut a 4" long piece of 3/8" diameter wood dowel. Glue and insert dowel into 3/8" diameter hole previously cut into front panel of bird house.

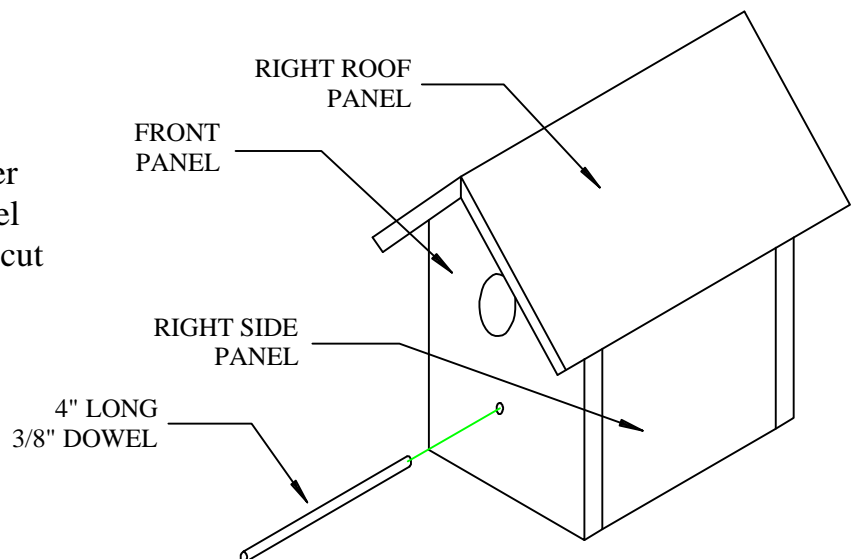


FIGURE #8